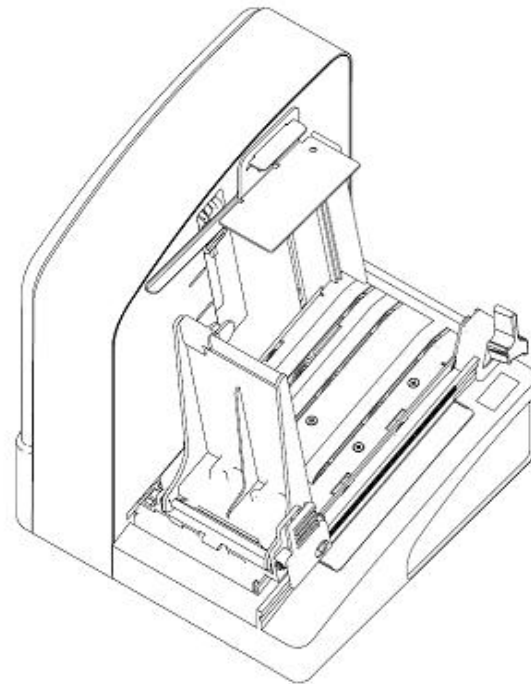


DATE: 24 Sep, 2010



ST-TG3 STACKER UNIT SERVICE PARTS LIST

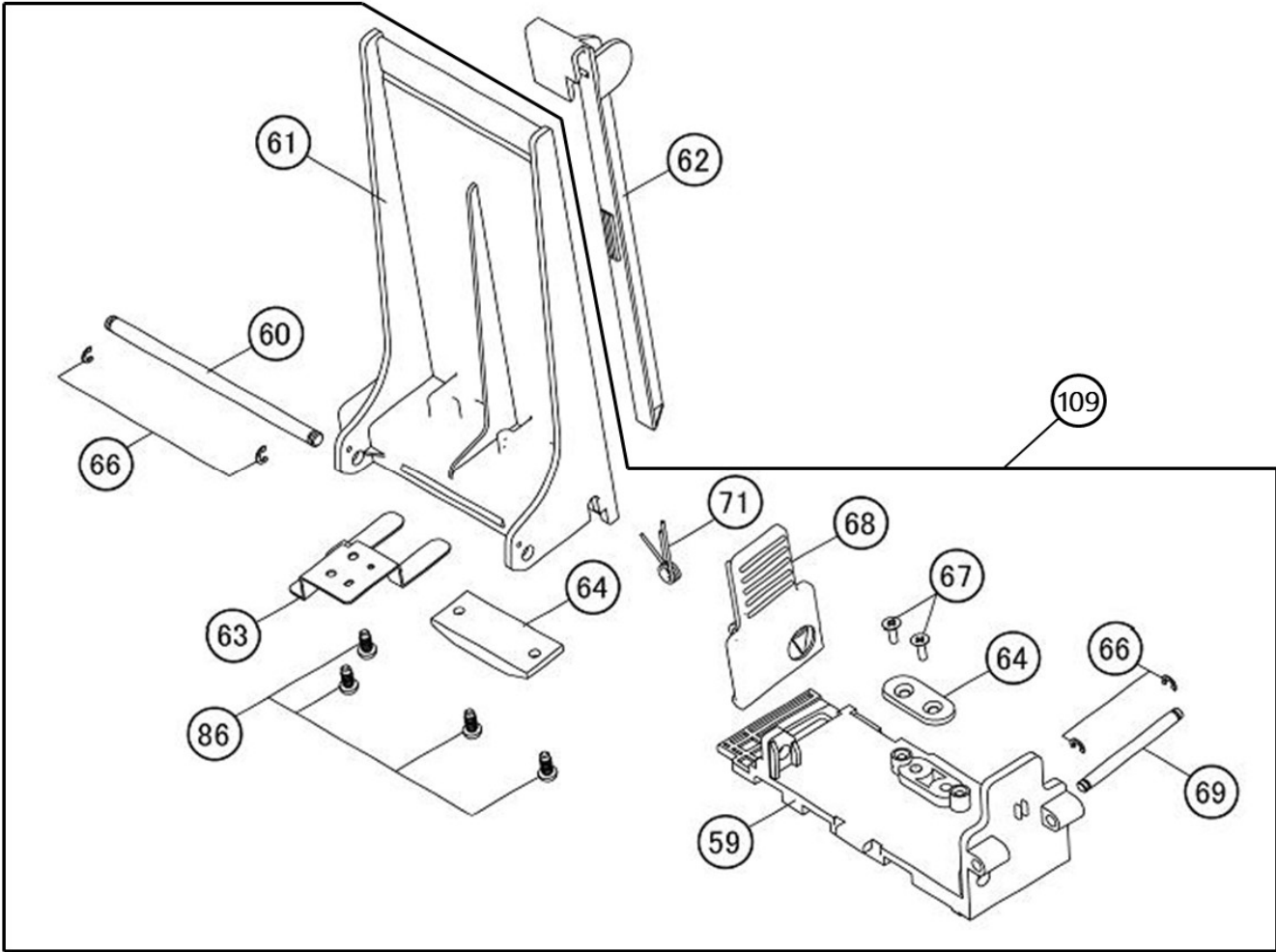


Create Date:

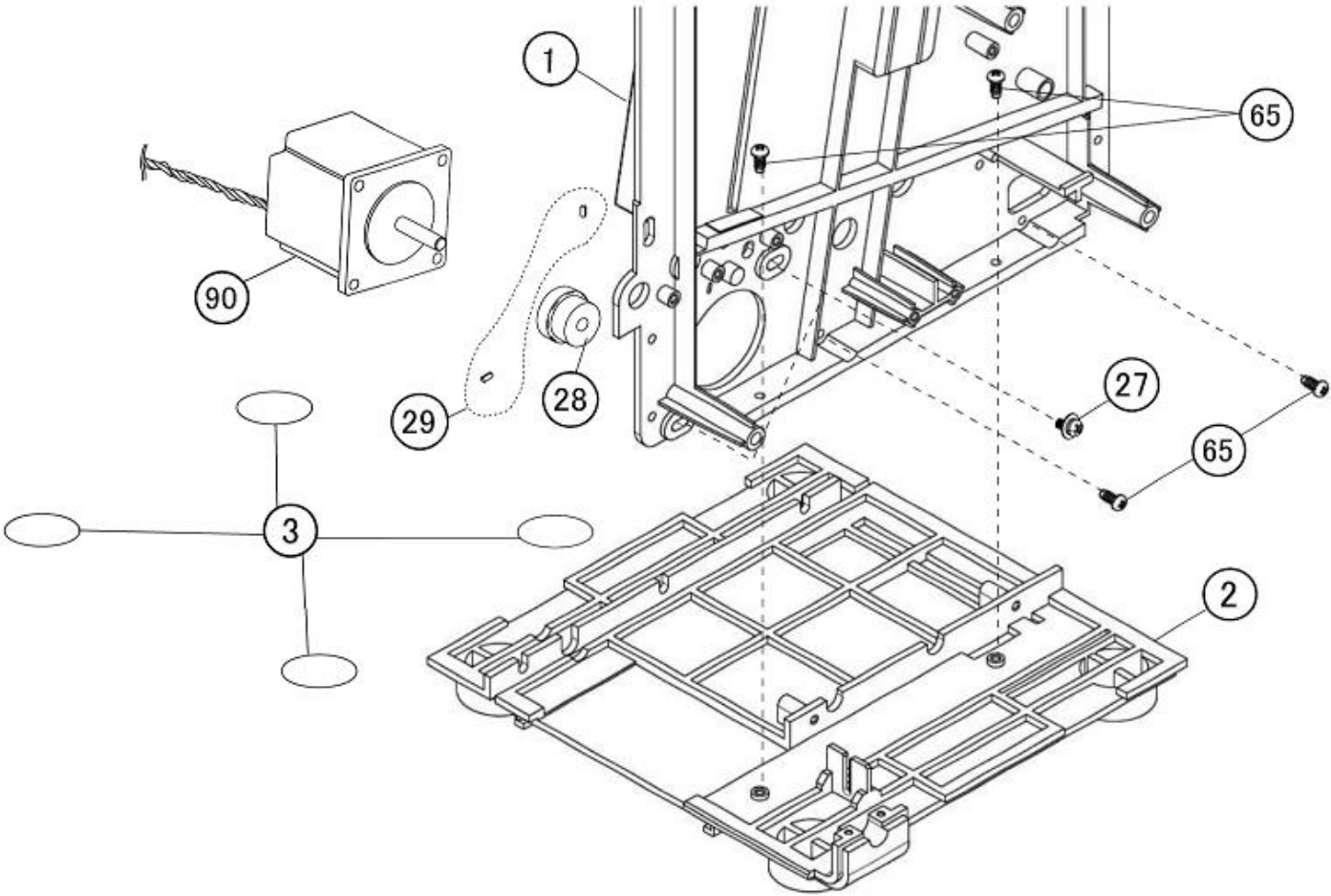
WWTG35600

RV10-549

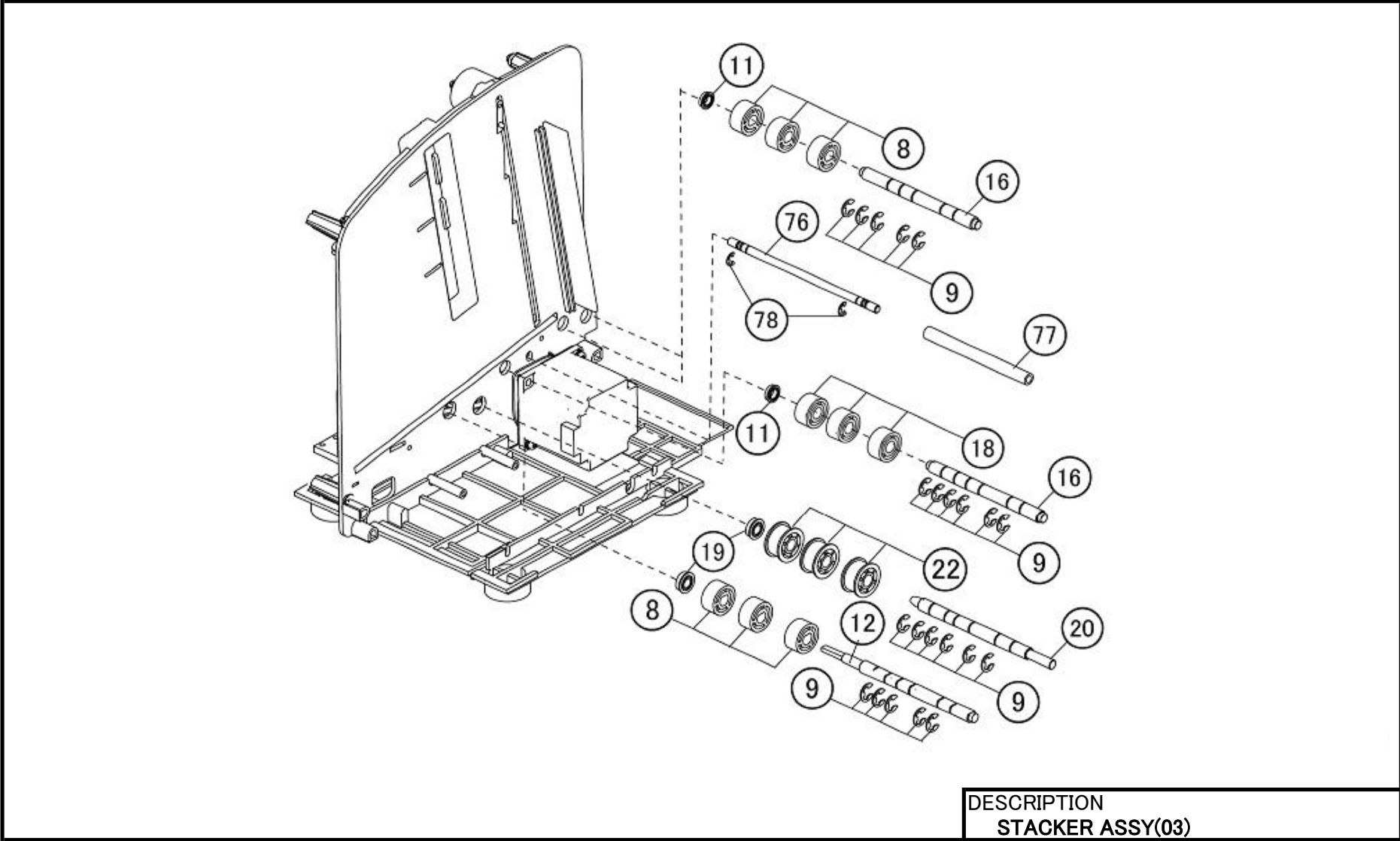
SATO CORPORATION . TOKYO. JAPAN

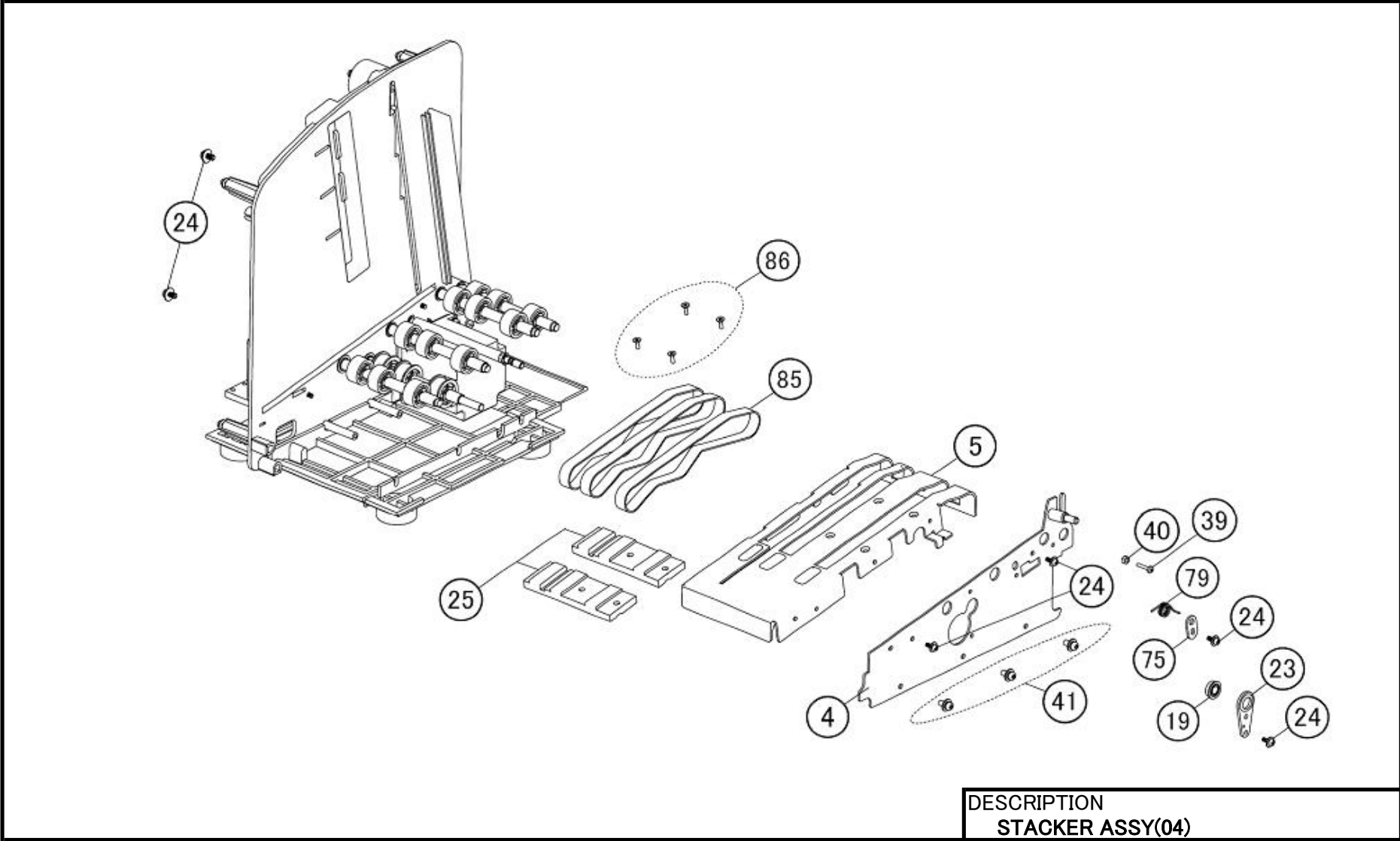


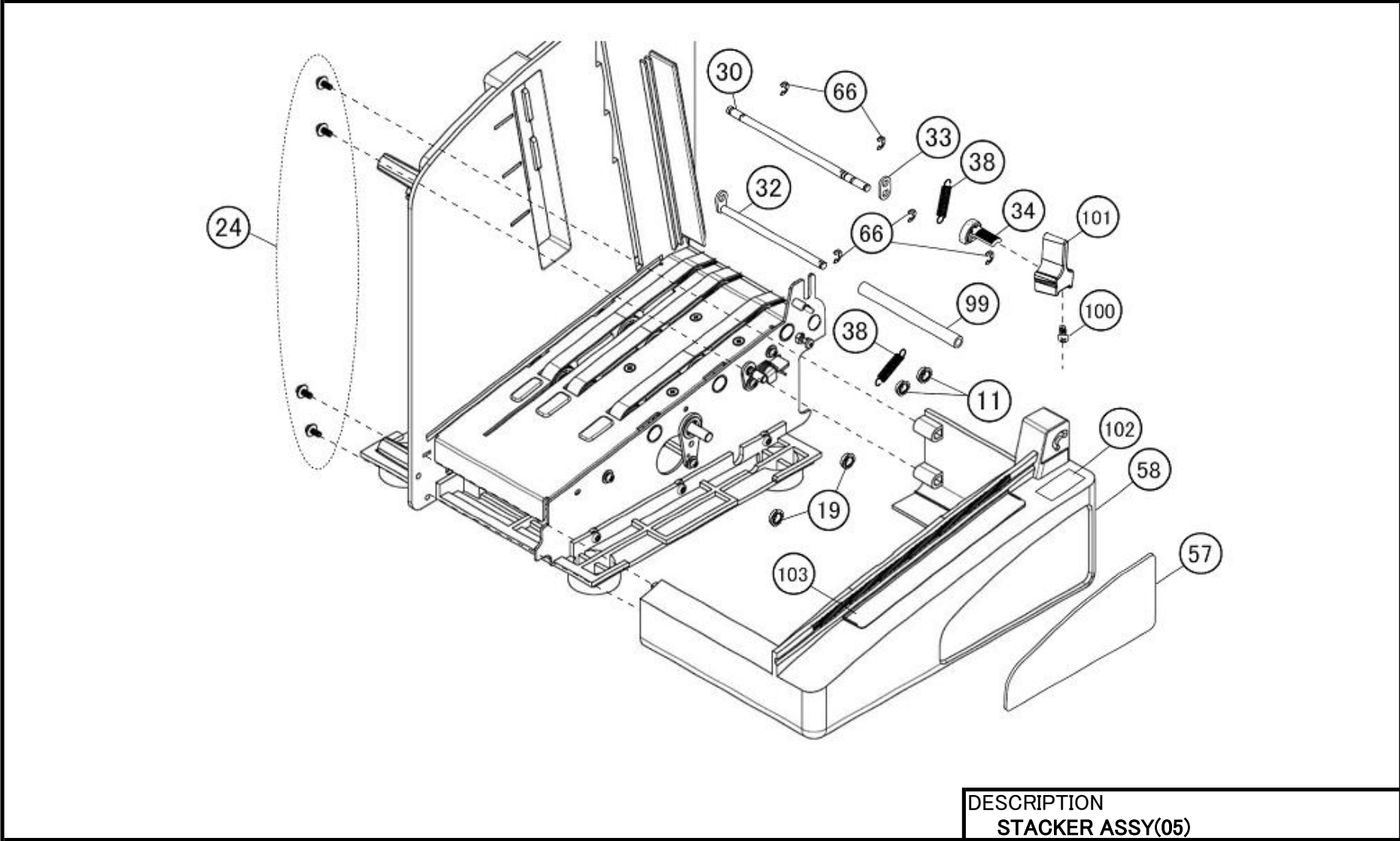
DESCRIPTION
STACKER ASSY(01)

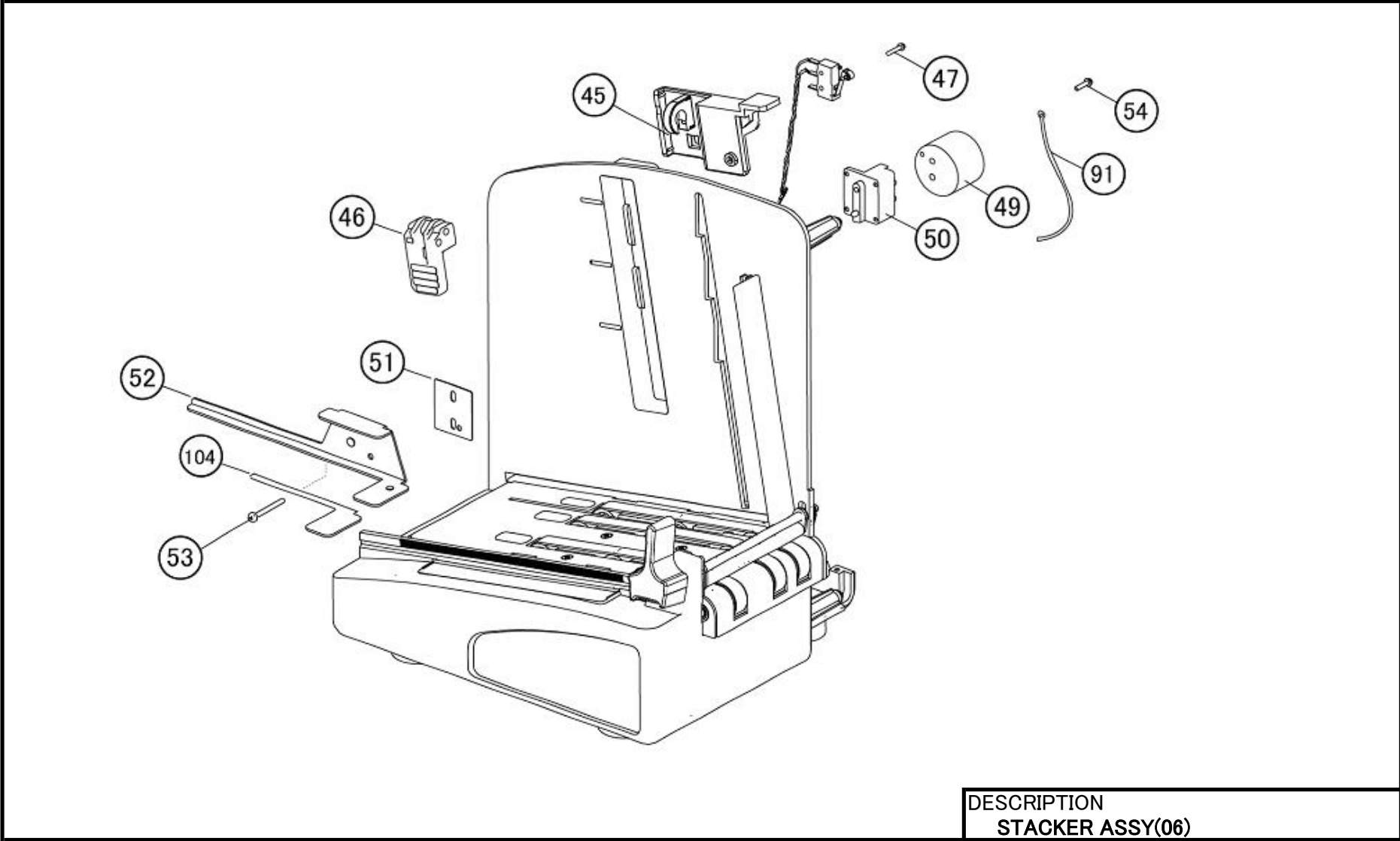


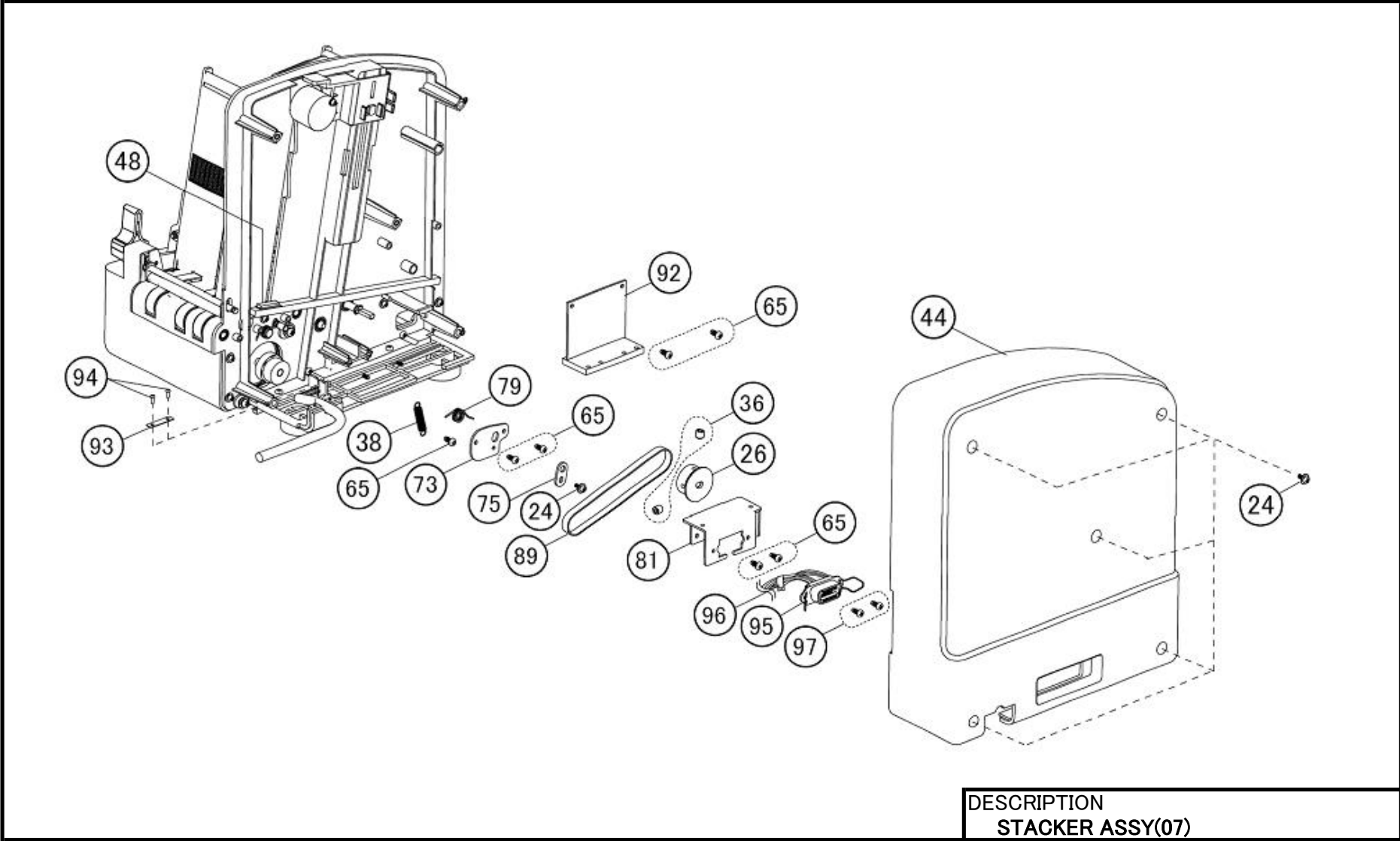
DESCRIPTION STACKER ASSY(02)

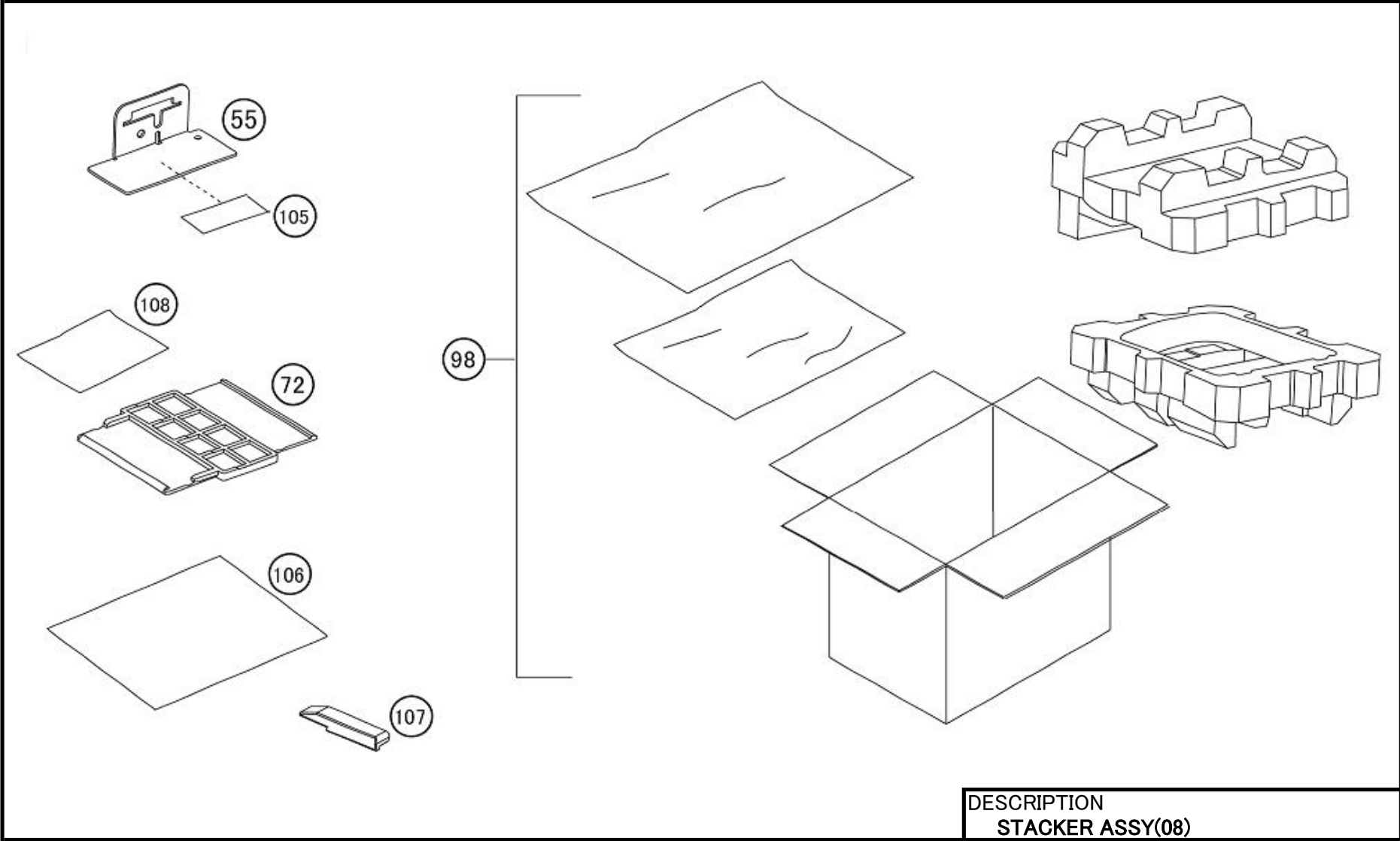












ST-TG3 STACKER UNIT SERVICE PARTS LIST						DATE: 24 Sep, 2010
AssyName		STACKER ASSY				
NO	First_Code	Parts_No (REV. NO)	Description	Standard	Min Order	NOTE
1	R14392020	R14392020	STACKER FRAME ASSY		1	Fig02
2	P27312000	P27312001	BASE (STACKER)		1	Fig02
3	PV2760100	PV2760100	RUBBER FOOT		1	Fig02
4	R12286000	R12286000	SIDE FRAME ASSY		1	Fig04
5	P27299020	P27299030	STOCK TABLE		1	Fig04
8	R14488000	R14488000	PULLEY (32) S SUB		1	Fig03
9	ND0060030	ND0060030	E RING		1	Fig03
11	PT1112060	P17488000	BALL BEARING		1	Fig03, 05
12	P27421030	P27421030	SHAFT (FEED ROLLER)		1	Fig03
16	P27422020	P27422020	SHAFT (TENSION)		1	Fig03
18	PE2760400	PE2760400	ROLLER (8*20*10)		1	Fig03
19	PT1110060	PT1110060	BALL BEARING		1	Fig03, 04
20	P27423020	P27423020	SHAFT (IDLE)		1	Fig03
22	PE8762100	PE8762100	ROLLER (8*20*12)		1	Fig03
23	PA3760500	PA3760501	SUPPORTER CLAMP		1	Fig04
24	MD4300822	MD4300822	PAN HEAD SCREW+SW+WL		1	Fig04, 05, 07
25	P27316010	P27316020	BELT GUIDE		1	Fig04
26	PR1481000	PR1481001	DORIBUNN PULLEY (32)		1	Fig07
27	MD3401022	MD3401022	PAN HEAD SCREW+SW+WS		1	Fig02
28	PR7762100	PR7762102	MOTOR PULLEY SET		1	Fig02
29	MJ1400528	MJ1400528	HEX SOCKET SET SCREW		1	Fig02
30	P27424010	P27424010	SHAFT (PRESSURE B)		1	Fig05
32	R13674010	R13674010	JOINT PIECE ASSY		1	Fig05
33	P27300010	P27300010	JOINT PIECE A		1	Fig05

ST-TG3 STACKER UNIT SERVICE PARTS LIST							DATE: 24 Sep, 2010
AssyName		STACKER ASSY					
NO	First_Code	Parts_No (REV. NO)	Description	Standard	Min Order		NOTE
34	P27318010	P27318010	KNOB (PRESSURE)		1	Fig05	
36	MJ1300328	MJ1300328	HEX SOCKET SET SCREW(W-POINT)		1	Fig07	
38	P27667000	P27667000	SPRING (PRESSURE)		1	Fig05, 07	
39	MA0301022	MA0301022	PAN HEAD SCREW		1	Fig04	
40	MT1300522	MT1300522	HEXAGON NUT		1	Fig04	
41	MD4400822	MD4400822	PAN HEAD SCREW+SW+WL		1	Fig04	
44	P27319010	P27319010	COVER LH		1	Fig07	
45	R14314020	R14314020	LOCK BASE ASSY		1	Fig06	
46	P27321010	P27321010	LOCK LEVER		1	Fig06	
47	MD3201222	MD3201222	PAN HEAD SCREW+SW+WS		1	Fig06	
48	P37016000	P37016000	STOPPER RUBBER		1	Fig07	
49	P27426000	P27426000	WEIGHT		1	Fig06	
50	P27322020	P27322020	TAG PRESSURE (C)		1	Fig06	
51	PE1690010	PE1690010	TAG PRESSURE (B)		1	Fig06	
52	P27302000	P27302001	TAG PRESSURE A		1	Fig06	
53	MA0302522	MA0302522	PAN HEAD SCREW		1	Fig06	
54	MD3300822	MD3300822	PAN HEAD SCREW+SW+WS		1	Fig06	
55	P27303000	P27303001	TAG WEIGHT		1	Fig08	
57	R14554010	R14554010	FRONT PANEL (SILK) TG		1	Fig05	
58	R14313000	R14313000	COVER RH SUB		1	Fig05	
59	P27325040	P27325040	TAG STOPPER BASE		1	Fig01	
60	P27428000	P27428000	SHAFT (TAG STOPPER)		1	Fig01	
61	P27327040	P27327040	TAG STOPPER		1	Fig01	
62	P27328010	P27328010	LABEL GUIDE		1	Fig01	

ST-TG3 STACKER UNIT SERVICE PARTS LIST						DATE: 24 Sep, 2010
AssyName		STACKER ASSY				
NO	First_Code	Parts_No (REV. NO)	Description	Standard	Min Order	NOTE
63	P27304020	P27304020	LIFT PLATE		1	Fig01
64	P34283000	P34283000	MAGNET CATCH		1	Fig01
65	MH0300822	MH0300822	PAN HEAD P TIGHT SCREW		1	Fig01, 02, 07
66	ND0030030	ND0030030	E SNAP RING		1	Fig01, 05
67	MA1300822	MA1300822	FLAT HEAD SCREW		1	Fig01
68	P27326010	P27326010	CLIP		1	Fig01
69	P27429000	P27429000	SHAFT (CLIP)		1	Fig01
71	P27665000	P27665010	SPRING (CLIP)		1	Fig01
72	P27329020	P27329020	PLATE (JOINT)		1	Fig08
73	P27306000	P27306000	IDRA PLATE		1	Fig07
75	P27310000	P27310000	IDRA HOLD PLATE		1	Fig04, 07
76	P27433010	P27433010	SHAFT (ADJUST)		1	Fig03
77	P32151010	P32151010	ROLLER (10X5X90)		1	Fig03
78	ND0040030	ND0040030	E SNAP RING		1	Fig03
79	P27666000	P27666000	SPRING (TENSION)		1	Fig04, 07
81	PA3768900	PA3768900	PCB BRACKET		1	Fig07
85	PT8760200	PT8760200	TIMING BELT		1	Fig04/Recommended Spare Parts
86	MH1300822	MH1300822	FLAT HEAD P TIGHT SCREW		1	Fig04
89	PT8122064	PT8122064	TIMING BELT		1	Fig07/Recommended Spare Parts
90	R14299010	R14299010	MICRO SW/STACKER MOTOR CORD ASSY-ST-LF		1	Fig02/Recommended Spare Parts
91	RH1768510	RH1768510	FG CORD (STACKER) -LF		1	Fig06
92	R14298000	R14298000	STACKER PCB SET-LF		1	Fig07/Recommended Spare Parts
93	PA3765400	PA3765400	STOPPER		1	Fig07
94	MH0250622	MH0250622	PAN HEAD P TIGHT SCREW		1	Fig07

ST-TG3 STACKER UNIT SERVICE PARTS LIST						DATE: 24 Sep, 2010	
AssyName		STACKER ASSY					
NO	First_Code	Parts_No (REV. NO)	Description	Standard	Min Order	NOTE	
95	R14188000	R14188001	STACKER EXT CABLE SET-LF		1	Fig07	
96	JG100011A	JG100011A	TIE WRAP		1	Fig07	
97	MA0300822	MA0300822	PAN HEAD SCREW		1	Fig07	
98	R14588001	R14588001	PACKING SET (ST)		1	Fig08	
99	P34760000	P34760000	ROLLER		1	Fig05	
100	MH0300622	MH0300622	PAN HEAD P TIGHT SCREW		1	Fig05	
101	P34201000	P34201000	KNOB_B (PRESSURE)		1	Fig05	
102	Q02714000	Q02714000	STICKER (TAG/LABEL) TG		1	Fig05	
103	Q02460010	Q02460010	STICKER (SCALE)		1	Fig05	
104	P36575000	P36575000	SEAT (TAG_PRESS)		1	Fig06	
105	Q02548000	Q02548000	TAG WEIGHT STICKER TG		1	Fig08	
106	Q03148000	Q03148000	INTERLEAF (TG)		1	Fig08	
107	R16148000	R16148000	LAMI-SPACER ASSY		1	Fig08	
108	Q00005000	Q00005000	POLY BAG		1	Fig08	
109	R19405000	R19405002	TAG STOPPER BASE SA		1	Fig01	